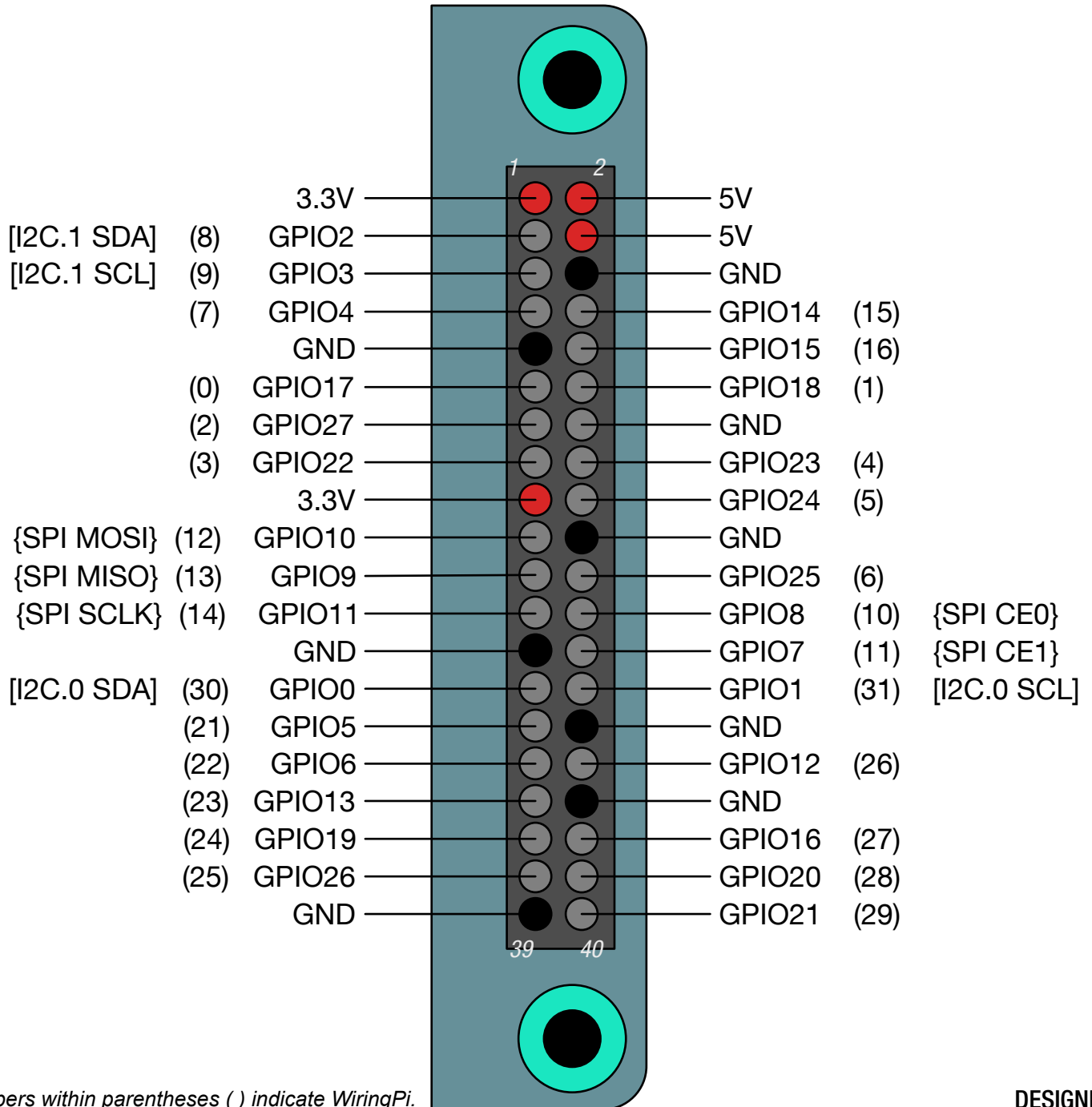


# RASPBERRY PI

## Pinouts



Numbers within parentheses ( ) indicate WiringPi.

Items with square brackets [ ] indicate I2C

Items with curly braces { } indicate SPI

All others indicate BCM

DESIGNED BY:

